



Inventory Reports ***EDIFACT INVRPT D.97a***

Version 1.0



Table of content

1. Structure chart	3
2. Branch diagram.....	3
3. INVRPT Segement description.....	7
4. INVRT Code list	22
5. INVRPT Examples	24

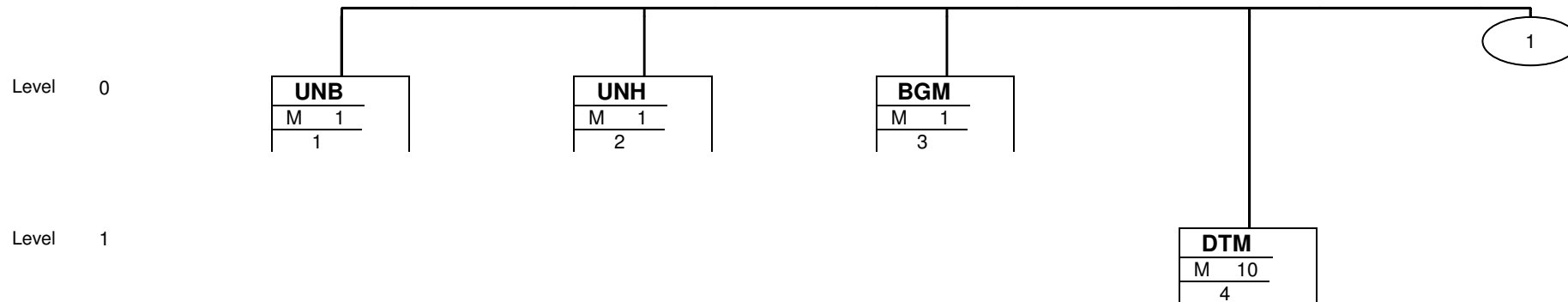


1. Structure chart

INVRPT			Inventory report message
UNB	M	1	INTERCHANGE HEADER
UNH	M	1	MESSAGE HEADER
BGM	M	1	BEGINNING OF MESSAGE
DTM	M	10	DATE/TIME/PERIOD
SG2	C	20	NAD
NAD	M	1	NAME AND ADDRESS
SG9	C	9999	LIN-PIA-SG11
LIN	M	1	LINE ITEM
PIA	C	10	ADDITIONAL PRODUCT ID
SG11	C	9999	INV-QTY-SG12-SG14
INV	M	1	INVENTORY MANAGEMENT RELATED DETAILS
QTY	M	1	QUANTITY
SG12	C	5	NAD
NAD	M	1	NAME AND ADDRESS
SG14	C	10	RFF-DTM
RFF	M	1	REFERENCE
DTM	C	1	DATE/TIME/PERIOD
UNT	M	1	MESSAGE TRAILER
UNZ	M	1	INTERCHANGE TRAILER

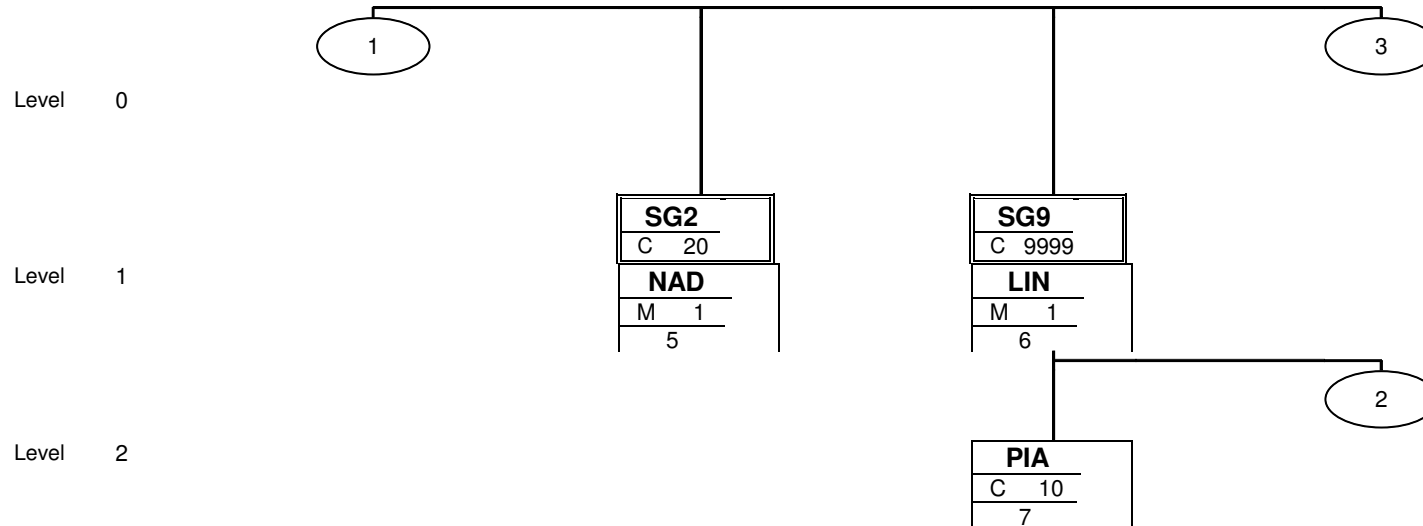
2. Branch diagram

INVRPT



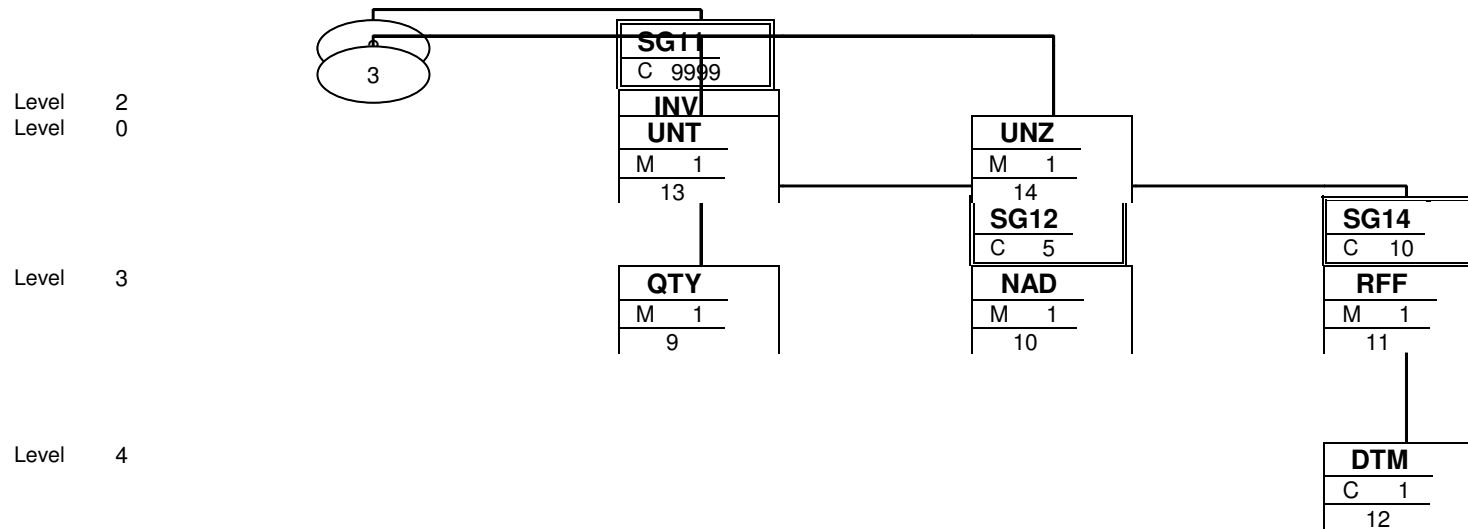
This is a branching diagram. Every variant of a segment or segment group described in the MIG appears exactly on times. The letters M and R characterise a 'mandatory' application status, whereas O means optional. The letter D is used for 'dependent' and the dependency will be described in comments. The number on the right-hand side explains the maximum occurrence of this segment or segment group. The undermost number is the consecutive number of the segment within the guide.

INVRPT



This is a branching diagram. Every variant of a segment or segment group described in the MIG appears exactly on times. The letters M and R characterise a 'mandatory' application status, whereas O means optional. The letter D is used for 'dependent' and the dependency will be described in comments. The number on the right-hand side explains the maximum occurrence of this segment or segment group. The undermost number is the consecutive number of the segment within the guide.

INVRPT



This is a branching diagram. Every variant of a segment or segment group described in the MIG appears exactly on times. The letters M and R characterise a 'mandatory' application status, whereas O means optional. The letter D is used for 'dependent' and the dependency will be described in comments. The number on the right-hand side explains the maximum occurrence of this segment or segment group. The undermost number is the consecutive number of the segment within the guide.



3. INVRPT Segement description

UNB

Seq. No.: 1
Status: M

Level: 0
Max. Occ.: 1

INTERCHANGE HEADER

Name: INTERCHANGE HEADER

Description of segment:

EDIFACT				Application	
Tag	Name	St Format	St	Example	Use / Comments
S001	SYNTAX IDENTIFIER	M	M		
0001	Syntax identifier	M a4	M	+UNOC	UNOC = UN/ECE level C
0002	Syntax version number	M n1	M	:3	3 = Version 3
S002	INTERCHANGE SENDER	M	M		
0004	Sender identification	M an..35	M	+SenderID	
0007	Partner identification code qualifier	C an..4	N		
0008	Address for reverse routing	C an..14	N		
S003	INTERCHANGE RECIPIENT	M	M		
0010	Recipient identification	M an..35	M	+ReceiverID	
0007	Partner identification code qualifier	C an..4	N		
0014	Routing address	C an..14	N		
S004	DATE/TIME OF PREPARATION	M	M		
0017	Date of preparation	M n6	M	+020416	
0019	Time of preparation	M n4	M	:1005	
0020	Interchange control reference	M an..14	M	+2530014'	
S005	RECIPIENT'S REFERENCE PASSWORD	C	N		
0022	Recipient's reference/password	M an..14	N		
0025	Recipient's reference/password qualifier	C an2	N		
0026	Application reference	C an..14	N		
0029	Processing priority code	C a1	N		
0031	Acknowledgement request	C n1	N		
0032	Communications agreement ID	C an..35	N		
0035	Test indicator	C n1	N		

Comment:

Example:

UNB+UNOC:3+SenderID+ReceiverID+020416:1005+2530014'



Segment: **UNH** Seq. No.: 2 Level: 0 MESSAGE HEADER
 Status: M Max. Occ.: 1

Name: MESSAGE HEADER

Description of segment:

EDIFACT			Application		
Tag	Name	St Format	St	Example	Use / Comments
0062	Message reference number	M an..14	M	+1	
S009	MESSAGE IDENTIFIER	M	M		
0065	Message type identifier	M an..6	M	+INVRPT	INVRPT = Inventory report message
0052	Message type version number	M an..3	M	:D	D = Draft version/UN/EDIFACT Directory
0054	Message type release number	M an..3	M	:97A	97A = Release 1997 - A
0051	Controlling agency	M an..2	M	:UN'	UN = UN/ECE/TRADE/WP.4
0057	Association assigned code	C an..6	N		
0068	Common access reference	C an..35	N		
S010	STATUS OF THE TRANSFER	C	N		
0070	Sequence message transfer number	M n..2	N		
0073	First/last sequence message transfer indication	C a1	N		

Comment:

Example:
 UNH+1+INVRPT:D:97A:UN'



Segment:

BGM

Seq. No.: 3
Status: M

Level: 0
Max. Occ.: 1

BEGINNING OF MESSAGE

Name: **BEGINNING OF MESSAGE**

Description of segment:

EDIFACT			Application		
Tag	Name	St Format	St	Example	Use / Comments
C002	DOCUMENT/MESSAGE NAME	C	C		
1001	Document/message name, coded	C an..3	C	+78	77 = Status report 78 = Inventory movement advice 79 = Inventory status advice
1131	Code list qualifier	C an..3	N		
3055	Code list responsible agency, coded	C an..3	N		
1000	Document/message name	C an..35	N		
C106	DOCUMENT/MESSAGE IDENTIFICATION	C	C		
1004	Document/message number	C an..35	C	+00000000 02530014'	
1056	Version	C an..9	N		
1060	Revision number	C an..6	N		
1225	Message function, coded	C an..3	N		
4343	Response type, coded	C an..3	N		

Comment:

Example:

BGM+78+0000000002530014'



Segment:

DTM

Seq. No.: 4
Status: M

Level: 1
Max. Occ.: 10

DATE/TIME/PERIOD

Name: DATE/TIME/PERIOD

Description of segment:

EDIFACT				Application	
Tag	Name	St Format	St	Example	Use / Comments
C507	DATE/TIME/PERIOD	M	M		
2005	Date/time/period qualifier	M an..3	M	+137	137 = Document/message date/time
2380	Date/time/period	C an..35	C	: 200204021 039	
2379	Date/time/period format qualifier	C an..3	C	:203'	203 = CCYYMMDDHHMM

Comment:

Example:

DTM+137:200204021039:203'



Group: **SG2** Status: C Max. Occ.: 20 NAD

Segment: **NAD** Seq. No.: 5 Level: 1 **NAME AND ADDRESS**
 Status: M Max. Occ.: 1

Name: **NAME AND ADDRESS**

Description of segment:

EDIFACT			Application		
Tag	Name	St Format	St	Example	Use / Comments
3035	Party qualifier	M an..3	M	+SE	SE = Seller BY = Buyer
C082	PARTY IDENTIFICATION DETAILS	C	C		
3039	Party id. identification	M an..35	M	+400740'	
1131	Code list qualifier	C an..3	N		
3055	Code list responsible agency, coded	C an..3	N		
C058	NAME AND ADDRESS	C	N		
3124	Name and address line	M an..35	N		
3124	Name and address line	C an..35	N		
3124	Name and address line	C an..35	N		
3124	Name and address line	C an..35	N		
3124	Name and address line	C an..35	N		
C080	PARTY NAME	C	N		
3036	Party name	M an..35	N		
3036	Party name	C an..35	N		
3036	Party name	C an..35	N		
3036	Party name	C an..35	N		
3036	Party name	C an..35	N		
3045	Party name format, coded	C an..3	N		
C059	STREET	C	N		
3042	Street and number/p.o. box	M an..35	N		
3042	Street and number/p.o. box	C an..35	N		
3042	Street and number/p.o. box	C an..35	N		
3042	Street and number/p.o. box	C an..35	N		
3164	City name	C an..35	N		
3229	Country sub-entity identification	C an..9	N		
3251	Postcode identification	C an..9	N		
3207	Country, coded	C an..3	N		

Comment:

Example:
 NAD+SE+400740'



Group: **SG9** Status: C Max. Occ.: 9999 LIN-PIA-SG11

Segment: **LIN** Seq. No.: 6 Level: 1 **LINE ITEM**
 Status: M Max. Occ.: 1

Name: **LINE ITEM**

Description of segment:

EDIFACT			Application		
Tag	Name	St Format	St	Example	Use / Comments
1082	Line item number	C an..6	N	+	
1229	Action request/notification, coded	C an..3	N	+	
C212	ITEM NUMBER IDENTIFICATION	C	C		
7140	Item number	C an..35	C	+33399612	
7143	Item number type, coded	C an..3	C	:IN'	IN = Buyer's item number
1131	Code list qualifier	C an..3	N		
3055	Code list responsible agency, coded	C an..3	N		
C829	SUB-LINE INFORMATION	C	N		
5495	Sub-line indicator, coded	C an..3	N		
1082	Line item number	C an..6	N		
1222	Configuration level	C n..2	N		
7083	Configuration, coded	C an..3	N		

Comment:

Example:

LIN+++33399612:IN'



Group: **SG9** Status: C Max. Occ.: 9999 LIN-PIA-SG11

Segment: **PIA** Seq. No.: 7 Level: 2 **ADDITIONAL PRODUCT ID**
 Status: C Max. Occ.: 10

Name: **ADDITIONAL PRODUCT ID**

Description of segment:

EDIFACT			Application		
Tag	Name	St Format	St	Example	Use / Comments
4347	Product id. function qualifier	M an..3	M	+1	1 = Additional identification
C212	ITEM NUMBER IDENTIFICATION	M	M		
7140	Item number	C an..35	C	+XX11111'	Production batch number (concerns only steel suppliers)
7143	Item number type, coded	C an..3	N		
1131	Code list qualifier	C an..3	N		
3055	Code list responsible agency, coded	C an..3	N		
C212	ITEM NUMBER IDENTIFICATION	C	N		
7140	Item number	C an..35	N		
7143	Item number type, coded	C an..3	N		
1131	Code list qualifier	C an..3	N		
3055	Code list responsible agency, coded	C an..3	N		
C212	ITEM NUMBER IDENTIFICATION	C	N		
7140	Item number	C an..35	N		
7143	Item number type, coded	C an..3	N		
1131	Code list qualifier	C an..3	N		
3055	Code list responsible agency, coded	C an..3	N		
C212	ITEM NUMBER IDENTIFICATION	C	N		
7140	Item number	C an..35	N		
7143	Item number type, coded	C an..3	N		
1131	Code list qualifier	C an..3	N		
3055	Code list responsible agency, coded	C an..3	N		
C212	ITEM NUMBER IDENTIFICATION	C	N		
7140	Item number	C an..35	N		
7143	Item number type, coded	C an..3	N		
1131	Code list qualifier	C an..3	N		
3055	Code list responsible agency, coded	C an..3	N		

Comment:

The PIA segment is only used in case of a production batch number (concerns steel suppliers)



Example:

PIA+1+XX11111'



Group: **SG9** Status: C Max. Occ.: 9999 LIN-PIA-SG11

Group: **SG11** Status: C Max. Occ.: 9999 INV-QTY-SG12-SG14

Segment: **INV** Seq. No.: 8 Level: 2 **INVENTORY MANAGEMENT RELATED DETAILS**
 Status: M Max. Occ.: 1

Name: **INVENTORY MANAGEMENT RELATED DETAILS**

Description of segment:

EDIFACT			Application			
Tag	Name	St Format	St	Example	Use / Comments	
4501	Inventory movement direction, coded	C an..3	C	+1	1	= Movement out of inventory
					2	= Movement into inventory
7491	Type of inventory affected, coded	C an..3	N	+		
4499	Reason for inventory movement, coded	C an..3	C	+11'	1	= Reception
					2	= Delivery
					3	= Scrapped parts
					4	= Difference
					5	= Property Transfer within warehouse
					6	= Inventory recycling
					7	= Reversal of previous movement
					8	= Defects (technical)
					9	= Commercial
					10	= Conversion
					11	= Consumption
4503	Inventory balance method, coded	C an..3	N			
C522	INSTRUCTION	C	N			
4403	Instruction qualifier	M an..3	N			
4401	Instruction, coded	C an..3	N			
1131	Code list qualifier	C an..3	N			
3055	Code list responsible agency, coded	C an..3	N			
4400	Instruction	C an..35	N			

Comment:

Example:
 INV+1+++11'



Group: **SG9** Status: C Max. Occ.: 9999 LIN-PIA-SG11

Group: **SG11** Status: C Max. Occ.: 9999 INV-QTY-SG12-SG14

Segment: **QTY** Seq. No.: 9 Level: 3 **QUANTITY**
 Status: M Max. Occ.: 1

Name: **QUANTITY**

Description of segment:

EDIFACT			Application		
Tag	Name	St Format	St	Example	Use / Comments
C186	QUANTITY DETAILS	M	M		
6063	Quantity qualifier	M an..3	M	+1	1 = Discrete quantity 3 = per day 17 = Quantity on hand
6060	Quantity	M n..15	M	:1500	
6411	Measure unit qualifier	C an..3	C	:PCE'	KGM = Kilogram LTR = Litre PCE = Piece TNE = Tonne (metric ton)

Comment:

Example:
 QTY+1:1500:PCE'



Group:	SG9	Status: C	Max. Occ.: 9999	LIN-PIA-SG11
Group:	SG11	Status: C	Max. Occ.: 9999	INV-QTY-SG12-SG14
Group:	SG12	Status: C	Max. Occ.: 5	NAD
Segment:	NAD	Seq. No.: 10 Status: M	Level: 3 Max. Occ.: 1	NAME AND ADDRESS

Name: NAME AND ADDRESS

Description of segment:

EDIFACT				Application	
Tag	Name	St Format	St	Example	Use / Comments
3035	Party qualifier	M an..3	M	+CN	CN = Consignee
C082	PARTY IDENTIFICATION DETAILS	C	C		
3039	Party id. identification	M an..35	M	+0023'	
1131	Code list qualifier	C an..3	N		
3055	Code list responsible agency, coded	C an..3	N		
C058	NAME AND ADDRESS	C	N		
3124	Name and address line	M an..35	N		
3124	Name and address line	C an..35	N		
3124	Name and address line	C an..35	N		
3124	Name and address line	C an..35	N		
3124	Name and address line	C an..35	N		
C080	PARTY NAME	C	N		
3036	Party name	M an..35	N		
3036	Party name	C an..35	N		
3036	Party name	C an..35	N		
3036	Party name	C an..35	N		
3036	Party name	C an..35	N		
3045	Party name format, coded	C an..3	N		
C059	STREET	C	N		
3042	Street and number/p.o. box	M an..35	N		
3042	Street and number/p.o. box	C an..35	N		
3042	Street and number/p.o. box	C an..35	N		
3042	Street and number/p.o. box	C an..35	N		
3164	City name	C an..35	N		
3229	Country sub-entity identification	C an..9	N		
3251	Postcode identification	C an..9	N		
3207	Country, coded	C an..3	N		

Comment:

Example:
NAD+CN+0023'



Group: **SG9** Status: C Max. Occ.: 9999 LIN-PIA-SG11

Group: **SG11** Status: C Max. Occ.: 9999 INV-QTY-SG12-SG14

Group: **SG14** Status: C Max. Occ.: 10 RFF-DTM

Segment: **RFF** Seq. No.: 11 Level: 3 **REFERENCE**
 Status: M Max. Occ.: 1

Name: REFERENCE

Description of segment:

EDIFACT			Application		
Tag	Name	St Format	St	Example	Use / Comments
C506	REFERENCE	M	M		
1153	Reference qualifier	M an..3	M	+ZZZ	ZZZ = Mutually defined reference number DM = Document Number
1154	Reference number	C an..35	C	:22711456'	SAP segment Z2EDP42 field MAKTX (40 Byte AN) description: material short text
1156	Line number	C an..6	N		
4000	Reference version number	C an..35	N		

Comment:

Example:
 RFF+ZZZ:22711456'



Group:	SG9	Status: C	Max. Occ.: 9999	LIN-PIA-SG11
Group:	SG11	Status: C	Max. Occ.: 9999	INV-QTY-SG12-SG14
Group:	SG14	Status: C	Max. Occ.: 10	RFF-DTM
Segment:	DTM	Seq. No.: 12 Status: C	Level: 4 Max. Occ.: 1	DATE/TIME/PERIOD

Name: DATE/TIME/PERIOD

Description of segment:

EDIFACT			Application		
Tag	Name	St Format	St	Example	Use / Comments
C507	DATE/TIME/PERIOD	M	M		
2005	Date/time/period qualifier	M an..3	M	+137	137 = Document/message date/time
2380	Date/time/period	C an..35	C	:20020402	
2379	Date/time/period format qualifier	C an..3	C	:102'	102 = CCYYMMDD

Comment:

Example:

DTM+137:20020402:102'



Segment:

UNT

Seq. No.: 13
Status: M

Level: 0
Max. Occ.: 1

MESSAGE TRAILER

Name: MESSAGE TRAILER

Description of segment:

EDIFACT			Application		
Tag	Name	St Format	St	Example	Use / Comments
0074	Number of segments in a message	M n..6	M	+42	
0062	Message reference number	M an..14	M	+1'	

Comment:

Example:
UNT+42+1'

**Segment:****UNZ**Seq. No.: 14
Status: MLevel: 0
Max. Occ.: 1**INTERCHANGE TRAILER****Name: INTERCHANGE TRAILER****Description of segment:**

EDIFACT			Application		
Tag	Name	St Format	St	Example	Use / Comments
0036	Interchange control count	M n..6	M	+1	
0020	Interchange control reference	M an..14	M	+2530014'	

Comment:**Example:**

UNZ+1+2530014'



4. INVRPT Code list

List of permitted EDIFACT and user defined codes, sorted by data elements and codes

DE	Code	Code name	Segment / CDE
0001	UNOC	UN/ECE level C	01 UNB S001
0002	3	Version 3	01 UNB S001
0051	UN	UN/ECE/TRADE/WP.4	02 UNH S009
0052	D	Draft version/UN/EDIFACT Directory	02 UNH S009
0054	97A	Release 1997 - A	02 UNH S009
0065	INVRPT	Inventory report message	02 UNH S009
1001	77	Status report	03 BGM C002
1001	78	Inventory movement advice	03 BGM C002
1001	79	Inventory status advice	03 BGM C002
1153	DM	Document Number	11 RFF C506
1153	ZZZ	Mutually defined reference number	11 RFF C506
2005	137	Document/message date/time	04 DTM C507
2005	137	Document/message date/time	12 DTM C507
2379	102	CCYYMMDD	12 DTM C507
2379	203	CCYYMMDDHHMM	04 DTM C507
3035	BY	Buyer	05 NAD
3035	CN	Consignee	10 NAD
3035	SE	Seller	05 NAD
4347	1	Additional identification	07 PIA
4499	1	Reception	08 INV
4499	10	Conversion	08 INV
4499	11	Consumption	08 INV
4499	2	Delivery	08 INV
4499	3	Scrapped parts	08 INV
4499	4	Difference	08 INV
4499	5	Property Transfer within warehouse	08 INV
4499	6	Inventory recycling	08 INV
4499	7	Reversal of previous movement	08 INV
4499	8	Defects (technical)	08 INV
4499	9	Commercial	08 INV
4501	1	Movement out of inventory	08 INV
4501	2	Movement into inventory	08 INV
6063	1	Discrete quantity	09 QTY C186
6063	17	Quantity on hand	09 QTY C186



INVRPT Code list

List of permitted EDIFACT and user defined codes, sorted by data elements and codes

DE	Code	Code name	Segment / CDE		
6063	3	per day	09	QTY	C186
6411	KGM	Kilogram	09	QTY	C186
6411	LTR	Litre	09	QTY	C186
6411	PCE	Piece	09	QTY	C186
6411	TNE	Tonne (metric ton)	09	QTY	C186
7143	IN	Buyer's item number	06	LIN	C212



5. INVRPT Examples

Example message

No.	Tag	Example
01	UNB	UNB+UNOC:3+SenderID+ReceiverID+020416:1005+2530014'
02	UNH	UNH+1+INVRPT:D:97A:UN'
03	BGM	BGM+78+0000000002530014'
04	DTM	DTM+137:200204021039:203'
	SG2	
05	NAD	NAD+SE+400740'
	SG9	
06	LIN	LIN+++33399612:IN'
07	PIA	PIA+1+XX111111'
	SG11	
08	INV	INV+1++11'
09	QTY	QTY+1:1500:PCE'
	SG12	
10	NAD	NAD+CN+0023'
	SG14	
11	RFF	RFF+ZZZ:22711456'
12	DTM	DTM+137:20020402:102'
13	UNT	UNT+42+1'
14	UNZ	UNZ+1+2530014'