



Invoices

EDIFACT INVOIC D.00a

Version 1.0

**Table of content**

1. Introduction	3
2. Message Description	3
3. Branch Diagram	5
4. Segment description	12
5. Code lists	40
6. Examples	43



1. Introduction

This Implementation Guideline details how Benteler intends to use the INVOIC MESSAGE. The function of this message is to establish payment for goods or services supplied under conditions agreed between the seller and the buyer. Either trading partner in the buying/selling process may send the message. The United Nations Standard Invoice Message, with correct data qualification, serves also as the specification for Debit Note and Credit Note messages. Throughout this document, the reference to 'Invoice' may be interpreted as conveying the wider meaning of 'Invoice/Credit Note/Debit Note'. Benteler intends to use this message to support the following business processes:

- Self Billing procedure in cooperation with the supplier consignment process

2. Message Description

Following pages contain a full description of the EDIFACT INVOIC D00.A message as implemented by Benteler. The official EDIFACT segment description is complemented with remarks pertaining to the specific requirements for an interchange with Benteler. Those remarks contain specific code values used, additional information on the values shown in a specific field, etc.



INVOIC

Structure / Table of contents

No.	Tag	St	Rep	Contents
01	UNB	M	1	Interchange header
02	UNH	M	1	Message header
03	BGM	M	1	Beginning of message
04	DTM	M	35	Date/time/period
	SG1	C	99999	RFF
05	RFF	M	1	Reference
	SG2	C	99	NAD-SG3
06	NAD	M	1	Name and address
	SG3	C	9999	RFF
07	RFF	M	1	Reference
	SG7	C	99	CUX
08	CUX	M	1	Currencies
	SG26	C	99999	LIN-PIA-QTY-DTM-SG27-SG29-SG30-SG34-SG35
09	LIN	M	1	Line item
10	PIA	C	25	Additional product id
11	QTY	C	5	Quantity
12	DTM	C	35	Date/time/period
	SG27	C	99	MOA
13	MOA	M	1	Monetary amount
	SG29	C	25	PRI
14	PRI	M	1	Price details
	SG30	C	10	RFF
15	RFF	M	1	Reference
	SG34	C	99	TAX-MOA
16	TAX	M	1	Duty/tax/fee details
17	MOA	C	2	Monetary amount
	SG35	C	99	NAD
18	NAD	M	1	Name and address
19	UNS	M	1	Section control



INVOIC

Structure / Table of contents

No.	Tag	St	Rep	Contents
	SG50	M	100	MOA
20	MOA	M	1	Monetary amount
21	UNT	M	1	Message trailer
22	UNZ	M	1	Interchange trailer

3. Branch Diagram

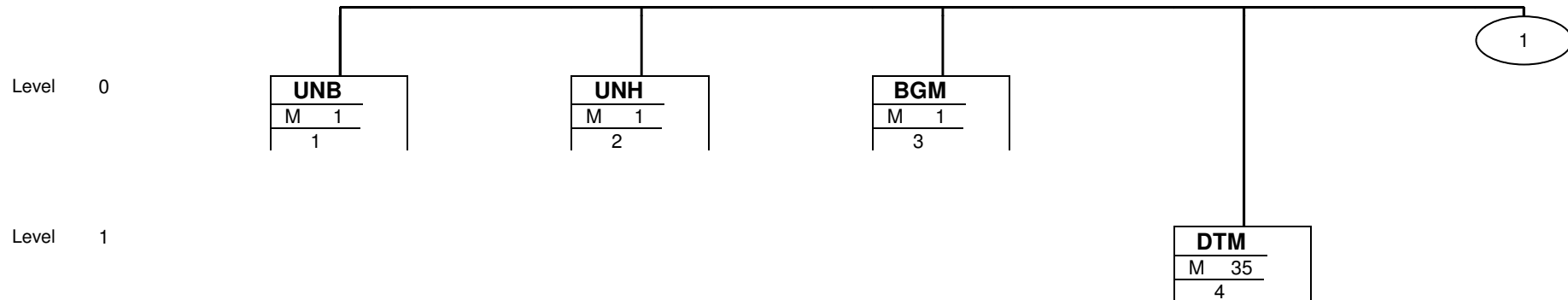
INVOIC D.00A

Author: J. Dahm, Benteler AG

Benteler AG

Department: Information Management & Technology, EDI-Team

INVOIC



This is a branching diagram. Every variant of a segment or segment group described in the MIG appears exactly on times. The letters M and R characterise a 'mandatory' application status, whereas O means optional. The letter D is used for 'dependent' and the dependency will be described in comments. The number on the right-hand side explains the maximum occurrence of this segment or segment group. The undermost number is the consecutive number of the segment within the guide.

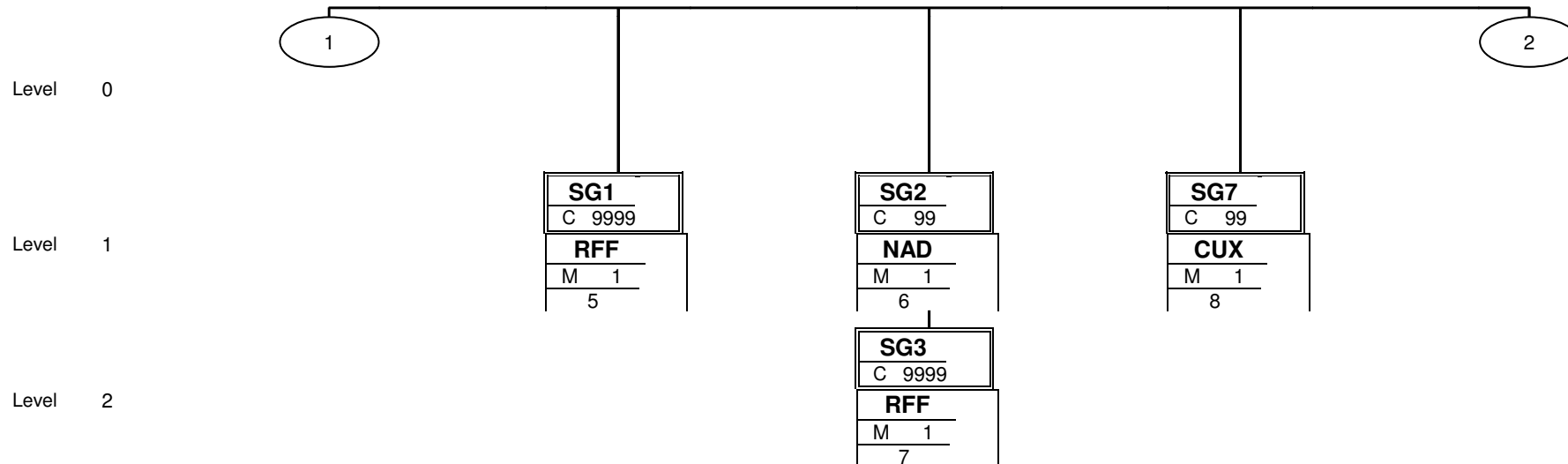
INVOIC D.00A

Author: J. Dahm, Benteler AG

Benteler AG

Department: Information Management & Technology, EDI-Team

INVOIC



This is a branching diagram. Every variant of a segment or segment group described in the MIG appears exactly on times. The letters M and R characterise a 'mandatory' application status, whereas O means optional. The letter D is used for 'dependent' and the dependency will be described in comments. The number on the right-hand side explains the maximum occurrence of this segment or segment group. The undermost number is the consecutive number of the segment within the guide.

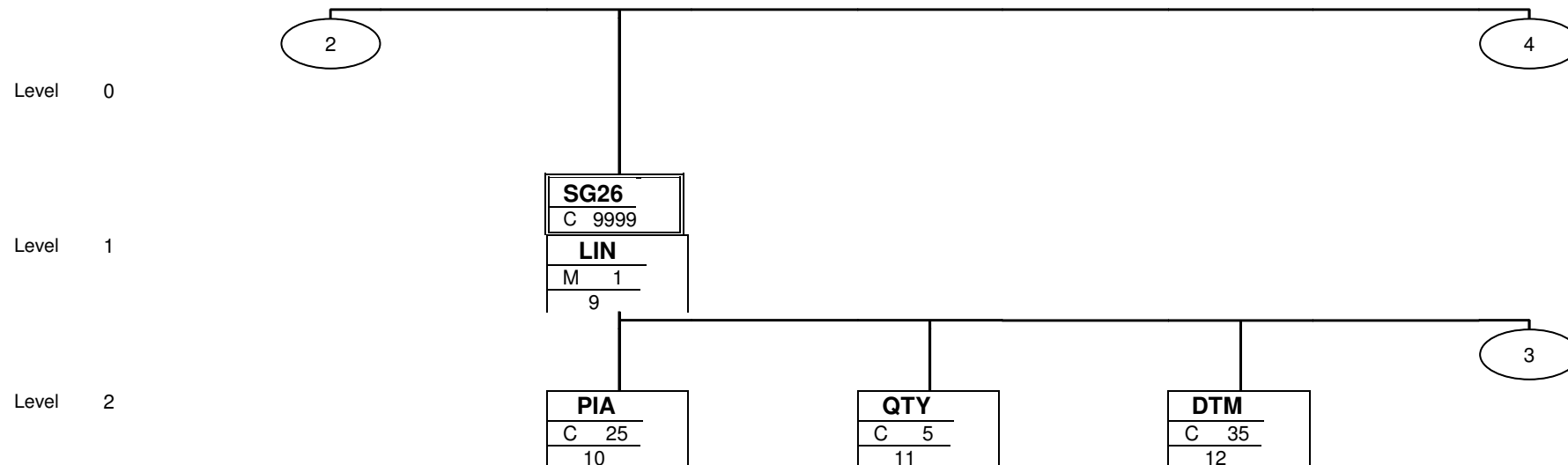
INVOIC D.00A

Author: J. Dahm, Benteler AG

Benteler AG

Department: Information Management & Technology, EDI-Team

INVOIC



This is a branching diagram. Every variant of a segment or segment group described in the MIG appears exactly on times. The letters M and R characterise a 'mandatory' application status, whereas O means optional. The letter D is used for 'dependent' and the dependency will be described in comments. The number on the right-hand side explains the maximum occurrence of this segment or segment group. The undermost number is the consecutive number of the segment within the guide.

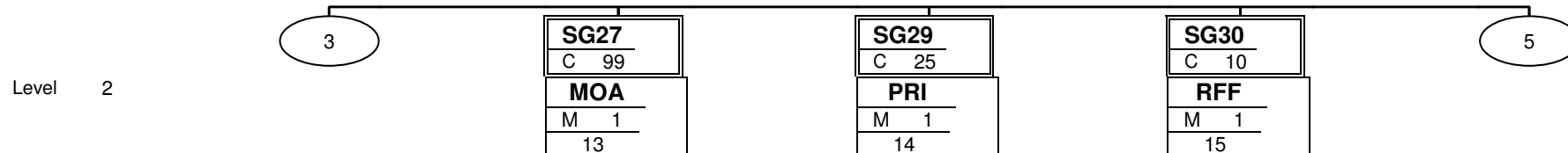
INVOIC D.00A

Author: J. Dahm, Benteler AG

Benteler AG

Department: Information Management & Technology, EDI-Team

INVOIC



This is a branching diagram. Every variant of a segment or segment group described in the MIG appears exactly on times. The letters M and R characterise a 'mandatory' application status, whereas O means optional. The letter D is used for 'dependent' and the dependency will be described in comments. The number on the right-hand side explains the maximum occurrence of this segment or segment group. The undermost number is the consecutive number of the segment within the guide.

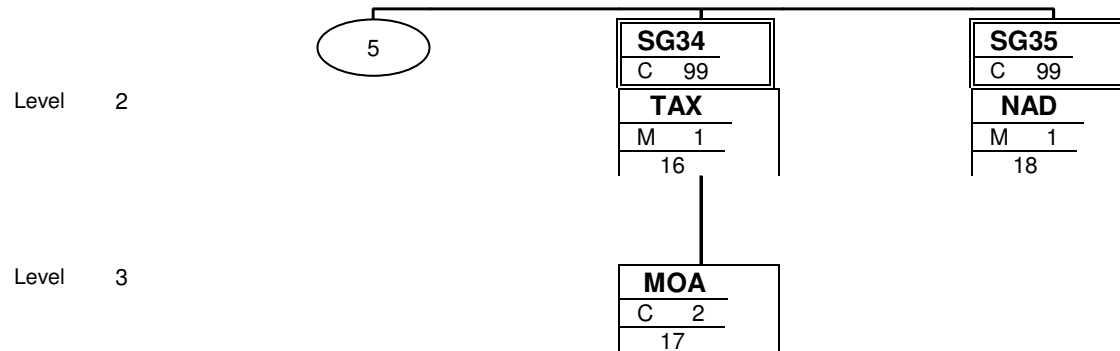
INVOIC D.00A

Author: J. Dahm, Benteler AG

Benteler AG

Department: Information Management & Technology, EDI-Team

INVOIC



This is a branching diagram. Every variant of a segment or segment group described in the MIG appears exactly on times. The letters M and R characterise a 'mandatory' application status, whereas O means optional. The letter D is used for 'dependent' and the dependency will be described in comments. The number on the right-hand side explains the maximum occurrence of this segment or segment group. The undermost number is the consecutive number of the segment within the guide.

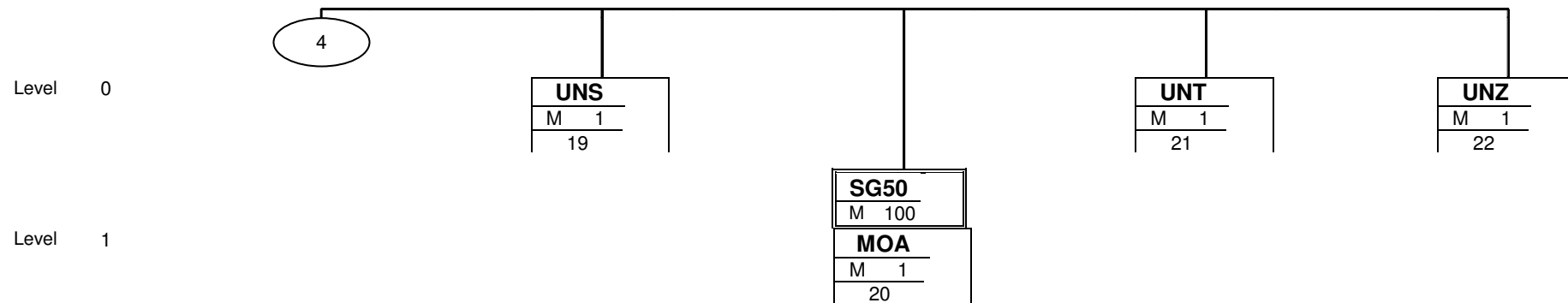
INVOIC D.00A

Author: J. Dahm, Benteler AG

Benteler AG

Department: Information Management & Technology, EDI-Team

INVOIC



This is a branching diagram. Every variant of a segment or segment group described in the MIG appears exactly on times. The letters M and R characterise a 'mandatory' application status, whereas O means optional. The letter D is used for 'dependent' and the dependency will be described in comments. The number on the right-hand side explains the maximum occurrence of this segment or segment group. The undermost number is the consecutive number of the segment within the guide.



INVOIC

4. Segment description

Segment: **UNB** Seq. No.: 1 Level: 0 Interchange header
 Status: M Max. Occ.: 1

Name: Interchange header

Description of segment:

EDIFACT			Application		
Tag	Name	St Format	St	Example	Use / Comments
S001	Syntax identifier	M	M		
0001	Syntax identifier	M a4	M	+UNOC	UNOC = UN/ECE level C
0002	Syntax version number	M an1	M	:4	4 = Version 4
0080	Service code list directory version number	C an..6	N		
0133	Character encoding, coded	C an..3	N		
S002	Interchange sender	M	M		
0004	Interchange sender identification	M an..35	M	+SENDER ID	
0007	Identification code qualifier	C an..4	N		
0008	Interchange sender internal identification	C an..35	N		
0042	Interchange sender internal sub-identification	C an..35	N		
S003	Interchange recipient	M	M		
0010	Interchange recipient identification	M an..35	M	+RECEIVE RID	
0007	Identification code qualifier	C an..4	N		
0014	Interchange recipient internal identification	C an..35	N		
0046	Interchange recipient internal sub-identification	C an..35	N		
S004	Date and time of preparation	M	M		
0017	Date	M n8	M	+20020412	
0019	Time	M n4	M	:1357	
0020	Interchange control reference	M an..14	M	+0011100112	Unique continuing transmission number, generated by the EDI system
S005	Recipient reference/password details	C	N		
0022	Recipient reference/password	M an..14	N	+	
0025	Recipient reference/password qualifier	C an2	N		
0026	Application reference	C an..14	C	+INVOIC'	
0029	Processing priority code	C a1	N		
0031	Acknowledgement request	C n1	N		
0032	Interchange agreement identifier	C an..35	N		
0035	Test indicator	C n1	N		



INVOIC

Comment:

Example:

UNB+UNOC:4+SENDERID+RECEIVERID+20020412:1357+0011100112++INVOIC'



INVOIC

Segment: UNH Seq. No.: 2 Level: 0 **Message header**
 Status: M Max. Occ.: 1

Name: **Message header**

Description of segment:

EDIFACT			Application		
Tag	Name	St Format	St	Example	Use / Comments
0062	Message reference number	M an..14	M	+1	
S009	Message identifier	M	M		
0065	Message type	M an..6	M	+INVOIC	INVOIC = Invoice message
0052	Message version number	M an..3	M	:D	D = Draft version/UN/EDIFACT Directory
0054	Message release number	M an..3	M	:00A	00A = Release 2000 - A
0051	Controlling agency, coded	M an..3	M	:UN'	UN = UN/CEFACT
0057	Association assigned code	C an..6	N		
0110	Code list directory version number	C an..6	N		
0113	Message type sub-function identification	C an..6	N		
0068	Common access reference	C an..35	N		
S010	Status of the transfer	C	N		
0070	Sequence of transfers	M n..2	N		
0073	First and last transfer	C a1	N		
S016	Message subset identification	C	N		
0115	Message subset identification	M an..14	N		
0116	Message subset version number	C an..3	N		
0118	Message subset release number	C an..3	N		
0051	Controlling agency, coded	C an..3	N		
S017	Message implementation guideline identification	C	N		
0121	Message implementation guideline identification	M an..14	N		
0122	Message implementation guideline version number	C an..3	N		
0124	Message implementation guideline release number	C an..3	N		
0051	Controlling agency, coded	C an..3	N		
S018	Scenario identification	C	N		
0127	Scenario identification	M an..14	N		
0128	Scenario version number	C an..3	N		
0130	Scenario release number	C an..3	N		
0051	Controlling agency, coded	C an..3	N		

Comment:

Example:
 UNH+1+INVOIC:D:00A:UN'



INVOIC

Segment: **BGM** Seq. No.: 3 Level: 0 Beginning of message
 Status: M Max. Occ.: 1

Name: Beginning of message

Description of segment:

EDIFACT			Application		
Tag	Name	St Format	St	Example	Use / Comments
C002	Document/message name	C	C		
1001	Document name code	C an..3	C	+381	381 = Credit note
1131	Code list identification code	C an..3	N		
3055	Code list responsible agency code	C an..3	N		
1000	Document name	C an..35	N		
C106	Document/message identification	C	C		
1004	Document identifier	C an..35	C	+DE60000 800020120 02	Self billing invoice reference number
1056	Version identifier	C an..9	N		
1060	Revision identifier	C an..6	N		
1225	Message function code	C an..3	C	+9'	9 = Original
4343	Response type code	C an..3	N		

Comment:

Example:
 BGM+381+DE6000080002012002+9'



INVOIC

Segment: DTM
 Seq. No.: 4 Level: 1 **Date/time/period**
 Status: M Max. Occ.: 35

Name: **Date/time/period**

Description of segment:

EDIFACT			Application		
Tag	Name	St Format	St	Example	Use / Comments
C507	Date/time/period	M	M		
2005	Date or time or period function code qualifier	M an..3	M	+137	137 = Document/message date/time
2380	Date or time or period value	C an..35	C	:20020304	
2379	Date or time or period format code	C an..3	C	:102'	102 = CCYYMMDD

Comment:

Example:
 DTM+137:20020304:102'



INVOIC

Group: **SG1** Status: C Max. Occ.: 99999 RFF

Segment: **RFF** Seq. No.: 5 Level: 1 **Reference**
 Status: M Max. Occ.: 1

Name: Reference

Description of segment:

EDIFACT			Application		
Tag	Name	St Format	St	Example	Use / Comments
C506	Reference	M	M		
1153	Reference function code qualifier	M an..3	M	+ABO	ABO = Originator's reference
1154	Reference identifier	C an..35	C	:2526012'	Reference number according to the application system (SAP R/3 IDoc number)
1156	Document line identifier	C an..6	N		
4000	Reference version identifier	C an..35	N		
1060	Revision identifier	C an..6	N		

Comment:

Example:
 RFF+ABO:2526012'



INVOIC

Group: **SG2** Status: C Max. Occ.: 99 NAD-SG3

Segment: **NAD** Seq. No.: 6 Level: 1 **Name and address**
 Status: M Max. Occ.: 1

Name: Name and address

Description of segment:

EDIFACT			Application		
Tag	Name	St Format	St	Example	Use / Comments
3035	Party function code qualifier	M an..3	M	+BY	BY = Buyer SE = Seller
C082	Party identification details	C	C		
3039	Party identifier	M an..35	M	+58103020	
1131	Code list identification code	C an..3	N		
3055	Code list responsible agency code	C an..3	N		
C058	Name and address	C	N		
3124	Name and address description	M an..35	N		
3124	Name and address description	C an..35	N		
3124	Name and address description	C an..35	N		
3124	Name and address description	C an..35	N		
3124	Name and address description	C an..35	N		
C080	Party name	C	N		
3036	Party name	M an..35	N		
3036	Party name	C an..35	N		
3036	Party name	C an..35	N		
3036	Party name	C an..35	N		
3036	Party name	C an..35	N		
3036	Party name	C an..35	N		
3045	Party name format code	C an..3	N		
C059	Street	C	N		
3042	Street and number or post office box identifier	M an..35	N		
3042	Street and number or post office box identifier	C an..35	N		
3042	Street and number or post office box identifier	C an..35	N		
3042	Street and number or post office box identifier	C an..35	N		
3164	City name	C an..35	N		
C819	Country sub-entity details	C	N		
3229	Country sub-entity name code	C an..9	N		
1131	Code list identification code	C an..3	N		
3055	Code list responsible agency code	C an..3	N		
3228	Country sub-entity name	C an..35	N		



INVOIC

3251	Postal identification code	C an..17	N	
------	----------------------------	----------	---	--

**INVOIC**

EDIFACT			Application		
Tag	Name	St Format	St	Example	Use / Comments
3207	Country name code	C an..3	N		

Comment:**Example:**

NAD+BY+58103020'



INVOIC

Group: **SG2** Status: C Max. Occ.: 99 NAD-SG3

Group: **SG3** Status: C Max. Occ.: 9999 RFF

Segment: **RFF** Seq. No.: 7 Level: 2 **Reference**
 Status: M Max. Occ.: 1

Name: Reference

Description of segment:

EDIFACT			Application		
Tag	Name	St Format	St	Example	Use / Comments
C506	Reference	M	M		
1153	Reference function code qualifier	M an..3	M	+VA	VA = VAT registration number
1154	Reference identifier	C an..35	C	: DE812754 945'	
1156	Document line identifier	C an..6	N		
4000	Reference version identifier	C an..35	N		
1060	Revision identifier	C an..6	N		

Comment:

Example:

RFF+VA:DE812754945'



INVOIC

Group: **SG7** Status: C Max. Occ.: 99 CUX

Segment: **CUX** Seq. No.: 8 Level: 1 Currencies
 Status: M Max. Occ.: 1

Name: Currencies

Description of segment:

EDIFACT			Application		
Tag	Name	St Format	St	Example	Use / Comments
C504	Currency details	C	C		
6347	Currency usage code qualifier	M an..3	M	+2	2 = Reference currency
6345	Currency identification code	C an..3	C	:EUR'	EUR = Euro
6343	Currency type code qualifier	C an..3	N		
6348	Currency rate value	C n..4	N		
C504	Currency details	C	N		
6347	Currency usage code qualifier	M an..3	N		
6345	Currency identification code	C an..3	N		
6343	Currency type code qualifier	C an..3	N		
6348	Currency rate value	C n..4	N		
5402	Currency exchange rate	C n..12	N		
6341	Exchange rate currency market identifier	C an..3	N		

Comment:

Example:
 CUX+2:EUR'



INVOIC

Group: **SG26** Status: C Max. Occ.: 9999999 LIN-PIA-QTY-DTM-SG27-SG29-SG30-SG34-SG35

Segment: **LIN** Seq. No.: 9 Level: 1 **Line item**
 Status: M Max. Occ.: 1

Name: Line item

Description of segment:

EDIFACT			Application		
Tag	Name	St Format	St	Example	Use / Comments
1082	Line item identifier	C an..6	N	+	
1229	Action request/notification description code	C an..3	N	+	
C212	Item number identification	C	C		
7140	Item identifier	C an..35	C	+27560970	
7143	Item type identification code	C an..3	C	:!N'	IN = Buyer's item number
1131	Code list identification code	C an..3	N		
3055	Code list responsible agency code	C an..3	N		
C829	Sub-line information	C	N		
5495	Sub-line indicator code	C an..3	N		
1082	Line item identifier	C an..6	N		
1222	Configuration level number	C n..2	N		
7083	Configuration operation code	C an..3	N		

Comment:

Example:

LIN+++27560970:!N'



INVOIC

Group: **SG26** Status: C Max. Occ.: 9999999 LIN-PIA-QTY-DTM-SG27-SG29-SG30-SG34-SG35

Segment: **PIA** Seq. No.: 10 Level: 2 **Additional product id**
 Status: C Max. Occ.: 25

Name: Additional product id

Description of segment:

EDIFACT			Application		
Tag	Name	St Format	St	Example	Use / Comments
4347	Product identifier code qualifier	M an..3	M	+1	1 = Additional identification
C212	Item number identification	M	M		
7140	Item identifier	C an..35	C	+XX11111'	Production batch number (concerns only steel suppliers and is not used for production buying parts)
7143	Item type identification code	C an..3	N		
1131	Code list identification code	C an..3	N		
3055	Code list responsible agency code	C an..3	N		
C212	Item number identification	C	N		
7140	Item identifier	C an..35	N		
7143	Item type identification code	C an..3	N		
1131	Code list identification code	C an..3	N		
3055	Code list responsible agency code	C an..3	N		
C212	Item number identification	C	N		
7140	Item identifier	C an..35	N		
7143	Item type identification code	C an..3	N		
1131	Code list identification code	C an..3	N		
3055	Code list responsible agency code	C an..3	N		
C212	Item number identification	C	N		
7140	Item identifier	C an..35	N		
7143	Item type identification code	C an..3	N		
1131	Code list identification code	C an..3	N		
3055	Code list responsible agency code	C an..3	N		
C212	Item number identification	C	N		
7140	Item identifier	C an..35	N		
7143	Item type identification code	C an..3	N		
1131	Code list identification code	C an..3	N		
3055	Code list responsible agency code	C an..3	N		

Comment:

Example:
 PIA+1+XX11111'



INVOIC

Group: **SG26** Status: C Max. Occ.: 9999999 LIN-PIA-QTY-DTM-SG27-SG29-SG30-SG34-SG35

Segment: **QTY** Seq. No.: 11 Level: 2 **Quantity**
 Status: C Max. Occ.: 5

Name: Quantity

Description of segment:

EDIFACT			Application		
Tag	Name	St Format	St	Example	Use / Comments
C186	Quantity details	M	M		
6063	Quantity type code qualifier	M an..3	M	+1	1 = Discrete quantity
6060	Quantity	M an..35	M	:10999.989	
6411	Measurement unit code	C an..3	C	:KGM'	KGM = kilogram TNE = tonne (metric ton) LTR = litre C62 = one (piece)

Comment:

Example:
 QTY+1:10999.989:KGM'



INVOIC

Group: **SG26** Status: C Max. Occ.: 9999999 LIN-PIA-QTY-DTM-SG27-SG29-SG30-SG34-SG35

Segment: **DTM** Seq. No.: 12 Level: 2 **Date/time/period**
 Status: C Max. Occ.: 35

Name: Date/time/period

Description of segment:

EDIFACT			Application		
Tag	Name	St Format	St	Example	Use / Comments
C507	Date/time/period	M	M		
2005	Date or time or period function code qualifier	M an..3	M	+50	50 = Goods receipt date/time
2380	Date or time or period value	C an..35	C	:20020225	
2379	Date or time or period format code	C an..3	C	:102'	102 = CCYYMMDD

Comment:

Example:
 DTM+50:20020225:102'



INVOIC

Group: **SG26** Status: C Max. Occ.: 9999999 LIN-PIA-QTY-DTM-SG27-SG29-SG30-SG34-SG35

Group: **SG27** Status: C Max. Occ.: 99 MOA

Segment: **MOA** Seq. No.: 13 Level: 2 **Monetary amount**
 Status: M Max. Occ.: 1

Name: Monetary amount

Description of segment:

EDIFACT			Application		
Tag	Name	St Format	St	Example	Use / Comments
C516	Monetary amount	M	M		
5025	Monetary amount type code qualifier	M an..3	M	+203	203 = Line item amount
5004	Monetary amount	C n..35	C	:6855.96'	
6345	Currency identification code	C an..3	N		
6343	Currency type code qualifier	C an..3	N		
4405	Status description code	C an..3	N		

Comment:

Example:
 MOA+203:6855.96'



INVOIC

Group: **SG26** Status: C Max. Occ.: 9999999 LIN-PIA-QTY-DTM-SG27-SG29-SG30-SG34-SG35

Group: **SG29** Status: C Max. Occ.: 25 PRI

Segment: **PRI** Seq. No.: 14 Level: 2 **Price details**
 Status: M Max. Occ.: 1

Name: Price details

Description of segment:

EDIFACT			Application		
Tag	Name	St Format	St	Example	Use / Comments
C509	Price information	C	C		
5125	Price code qualifier	M an..3	M	+AAA	AAA = Calculation net
5118	Price amount	C n..15	C	:75.70	
5375	Price type code	C an..3	N	:	
5387	Price specification code	C an..3	C	:CON	CON = Contract price
5284	Unit price basis value	C n..9	C	:100	
6411	Measurement unit code	C an..3	C	:KGM'	KGM = kilogram TNE = tonne (metric ton) LTR = litre C62 = one (piece)
5213	Sub-line item price change operation code	C an..3	N		

Comment:

Example:

PRI+AAA:75.70::CON:100:KGM'



INVOIC

Group: **SG26** Status: C Max. Occ.: 9999999 LIN-PIA-QTY-DTM-SG27-SG29-SG30-SG34-SG35

Group: **SG30** Status: C Max. Occ.: 10 RFF

Segment: **RFF** Seq. No.: 15 Level: 2 **Reference**
 Status: M Max. Occ.: 1

Name: Reference

Description of segment:

EDIFACT			Application		
Tag	Name	St Format	St	Example	Use / Comments
C506	Reference	M	M		
1153	Reference function code qualifier	M an..3	M	+DM	DM = Document number
1154	Reference identifier	C an..35	C	: 002271131 6'	consumption document number (not the original despatch advice number from the supplier)
1156	Document line identifier	C an..6	N		
4000	Reference version identifier	C an..35	N		
1060	Revision identifier	C an..6	N		

Comment:

Example:

RFF+DM:0022711316'



INVOIC

Group: SG26 Status: C Max. Occ.: 9999999 LIN-PIA-QTY-DTM-SG27-SG29-SG30-SG34-SG35

Group: SG34 Status: C Max. Occ.: 99 TAX-MOA

Segment: TAX Seq. No.: 16 Level: 2 **Duty/tax/fee details**
 Status: M Max. Occ.: 1

Name: Duty/tax/fee details

Description of segment:

EDIFACT			Application		
Tag	Name	St Format	St	Example	Use / Comments
5283	Duty or tax or fee function code qualifier	M an..3	M	+7	7 = Tax
C241	Duty/tax/fee type	C	C		
5153	Duty or tax or fee type name code	C an..3	C	+VAT	VAT = Value added tax
1131	Code list identification code	C an..3	N		
3055	Code list responsible agency code	C an..3	N		
5152	Duty or tax or fee type name	C an..35	N		
C533	Duty/tax/fee account detail	C	N		
5289	Duty or tax or fee account code	M an..6	N	+	
1131	Code list identification code	C an..3	N		
3055	Code list responsible agency code	C an..3	N		
5286	Duty or tax or fee assessment basis value	C an..15	N	+	
C243	Duty/tax/fee detail	C	C		
5279	Duty or tax or fee rate description code	C an..7	N	+	
1131	Code list identification code	C an..3	N	:	
3055	Code list responsible agency code	C an..3	N	:	
5278	Duty or tax or fee rate description	C an..17	C	:16.00'	
5273	Duty or tax or fee rate basis code	C an..12	N		
1131	Code list identification code	C an..3	N		
3055	Code list responsible agency code	C an..3	N		
5305	Duty or tax or fee category code	C an..3	N		
3446	Party tax identifier	C an..20	N		
1227	Calculation sequence code	C an..3	N		

Comment:

Example:



INVOIC

TAX+7+VAT+++:::16.00'



INVOIC

Group: **SG26** Status: C Max. Occ.: 9999999 LIN-PIA-QTY-DTM-SG27-SG29-SG30-SG34-SG35

Group: **SG34** Status: C Max. Occ.: 99 TAX-MOA

Segment: **MOA** Seq. No.: 17 Level: 3 **Monetary amount**
 Status: C Max. Occ.: 2

Name: Monetary amount

Description of segment:

EDIFACT			Application		
Tag	Name	St Format	St	Example	Use / Comments
C516	Monetary amount	M	M		
5025	Monetary amount type code qualifier	M an..3	M	+124	124 = Tax amount
5004	Monetary amount	C n..35	C	:1096.95'	
6345	Currency identification code	C an..3	N		
6343	Currency type code qualifier	C an..3	N		
4405	Status description code	C an..3	N		

Comment:

Example:
 MOA+124:1096.95'



INVOIC

Group: **SG26** Status: C Max. Occ.: 9999999 LIN-PIA-QTY-DTM-SG27-SG29-SG30-SG34-SG35

Group: **SG35** Status: C Max. Occ.: 99 NAD

Segment: **NAD** Seq. No.: 18 Level: 2 **Name and address**
 Status: M Max. Occ.: 1

Name: Name and address

Description of segment:

EDIFACT			Application		
Tag	Name	St Format	St	Example	Use / Comments
3035	Party function code qualifier	M an..3	M	+CN	CN = Consignee
C082	Party identification details	C	C		
3039	Party identifier	M an..35	M	+0013'	
1131	Code list identification code	C an..3	N		
3055	Code list responsible agency code	C an..3	N		
C058	Name and address	C	N		
3124	Name and address description	M an..35	N		
3124	Name and address description	C an..35	N		
3124	Name and address description	C an..35	N		
3124	Name and address description	C an..35	N		
3124	Name and address description	C an..35	N		
C080	Party name	C	N		
3036	Party name	M an..35	N		
3036	Party name	C an..35	N		
3036	Party name	C an..35	N		
3036	Party name	C an..35	N		
3036	Party name	C an..35	N		
3045	Party name format code	C an..3	N		
C059	Street	C	N		
3042	Street and number or post office box identifier	M an..35	N		
3042	Street and number or post office box identifier	C an..35	N		
3042	Street and number or post office box identifier	C an..35	N		
3042	Street and number or post office box identifier	C an..35	N		
3164	City name	C an..35	N		
C819	Country sub-entity details	C	N		
3229	Country sub-entity name code	C an..9	N		
1131	Code list identification code	C an..3	N		



INVOIC

3055	Code list responsible agency code	C an..3	N		
------	-----------------------------------	---------	---	--	--



INVOIC

EDIFACT			Application		
Tag	Name	St Format	St	Example	Use / Comments
3228	Country sub-entity name	C an..35	N		
3251	Postal identification code	C an..17	N		
3207	Country name code	C an..3	N		

Comment:**Example:**

NAD+CN+0013'



INVOIC

Segment: **UNS** Seq. No.: 19 Level: 0 Section control
 Status: M Max. Occ.: 1

Name: Section control

Description of segment:

EDIFACT			Application		
Tag	Name	St Format	St	Example	Use / Comments
0081	Section identification	M a1	M	+S'	S = Detail/summary section separation

Comment:

Example:
 UNS+S'



INVOIC

Group: **SG50** Status: M Max. Occ.: 100 MOA

Segment: **MOA** Seq. No.: 20 Level: 1 **Monetary amount**
 Status: M Max. Occ.: 1

Name: **Monetary amount**

Description of segment:

EDIFACT			Application		
Tag	Name	St Format	St	Example	Use / Comments
C516	Monetary amount	M	M		
5025	Monetary amount type code qualifier	M an..3	M	+79	79 = Total line items amount 77 = Invoice amount 176 = Message total duty/tax/fee amount
5004	Monetary amount	C n..35	C	:14335.19'	
6345	Currency identification code	C an..3	N		
6343	Currency type code qualifier	C an..3	N		
4405	Status description code	C an..3	N		

Comment:

Example:
 MOA+79:14335.19'



INVOIC

Segment: **UNT**
 Seq. No.: 21 Level: 0 **Message trailer**
 Status: M Max. Occ.: 1

Name: **Message trailer**

Description of segment:

EDIFACT			Application		
Tag	Name	St Format	St	Example	Use / Comments
0074	Number of segments in a message	M n..10	M	+32	
0062	Message reference number	M an..14	M	+1'	

Comment:

Example:
 UNT+32+1'



INVOICE

Segment: **UNZ** Seq. No.: 22 Level: 0 Interchange trailer
 Status: M Max. Occ.: 1

Name: Interchange trailer

Description of segment:

EDIFACT			Application		
Tag	Name	St Format	St	Example	Use / Comments
0036	Interchange control count	M n..6	M	+1	
0020	Interchange control reference	M an..14	M	+0011100112'	Unique continuing transmission number, generated by the EDI system

Comment:

Example:

UNZ+1+0011100112'



INVOIC

5. Code lists

List of permitted EDIFACT and user defined codes, sorted by data elements and codes

DE	Code	Code name	Segment / CDE
0001	UNOC	UN/ECE level C	01 UNB S001
0002	4	Version 4	01 UNB S001
0051	UN	UN/CEFACT	02 UNH S009
0052	D	Draft version/UN/EDIFACT Directory	02 UNH S009
0054	00A	Release 2000 - A	02 UNH S009
0065	INVOIC	Invoice message	02 UNH S009
0081	S	Detail/summary section separation	19 UNS
1001	381	Credit note	03 BGM C002
1153	ABO	Originator's reference	05 RFF C506
1153	DM	Document number	15 RFF C506
1153	VA	VAT registration number	07 RFF C506
1225	9	Original	03 BGM
2005	137	Document/message date/time	04 DTM C507
2005	50	Goods receipt date/time	12 DTM C507
2379	102	CCYYMMDD	04 DTM C507
2379	102	CCYYMMDD	12 DTM C507
3035	BY	Buyer	06 NAD
3035	CN	Consignee	18 NAD
3035	SE	Seller	06 NAD
4347	1	Additional identification	10 PIA
5025	124	Tax amount	17 MOA C516
5025	176	Message total duty/tax/fee amount	20 MOA C516
5025	203	Line item amount	13 MOA C516
5025	77	Invoice amount	20 MOA C516
5025	79	Total line items amount	20 MOA C516
5125	AAA	Calculation net	14 PRI C509
5153	VAT	Value added tax	16 TAX C241
5283	7	Tax	16 TAX
5387	CON	Contract price	14 PRI C509
6063	1	Discrete quantity	11 QTY C186
6345	EUR	Euro	08 CUX C504
6347	2	Reference currency	08 CUX C504
6411	C62	one (piece)	11 QTY C186
6411	C62	one (piece)	14 PRI C509
6411	KGM	kilogram	11 QTY C186



INVOIC

6411 KGM kilogram

| 14 PRI C509



INVOIC

List of permitted EDIFACT and user defined codes, sorted by data elements and codes

DE	Code	Code name	Segment / CDE		
6411	LTR	litre	11	QTY	C186
6411	LTR	litre	14	PRI	C509
6411	TNE	tonne (metric ton)	11	QTY	C186
6411	TNE	tonne (metric ton)	14	PRI	C509
7143	IN	Buyer's item number	09	LIN	C212



INVOIC

6. Examples

Example message

No.	Tag	Example
01	UNB	UNB+UNOC:4+SENDERID+RECEIVERID+20020412:1357+0011100112++INVOIC ,
02	UNH	UNH+1+INVOIC:D:00A:UN'
03	BGM	BGM+381+DE6000080002012002+9'
04	DTM	DTM+137:20020304:102'
	SG1	
05	RFF	RFF+ABO:2526012'
	SG2	
06	NAD	NAD+BY+58103020'
	SG3	
07	RFF	RFF+VA:DE812754945'
	SG7	
08	CUX	CUX+2:EUR'
	SG26	
09	LIN	LIN+++27560970:IN'
10	PIA	PIA+1+XX11111'
11	QTY	QTY+1:10999.989:KGM'
12	DTM	DTM+50:20020225:102'
	SG27	
13	MOA	MOA+203:6855.96'
	SG29	
14	PRI	PRI+AAA:75.70::CON:100:KGM'
	SG30	
15	RFF	RFF+DM:0022711316'
	SG34	
16	TAX	TAX+7+VAT+++:::16.00'
17	MOA	MOA+124:1096.95'
	SG35	
18	NAD	NAD+CN+0013'



INVOIC

Example message

No.	Tag	Example
19	UNS	UNS+S'
	SG50	
20	MOA	MOA+79:14335.19'
21	UNT	UNT+32+1'
22	UNZ	UNZ+1+0011100112'